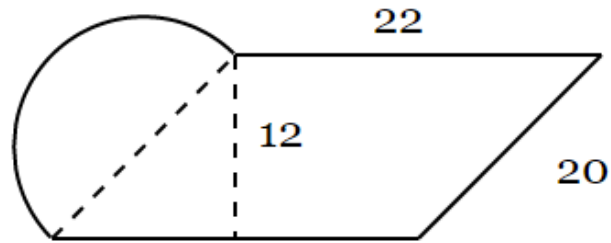
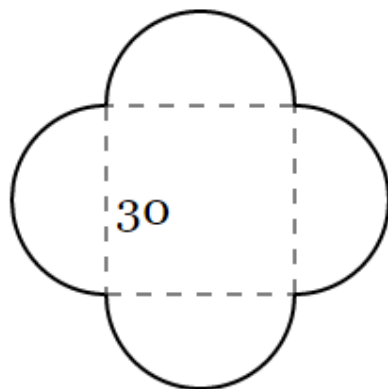


## Area Notes 2020

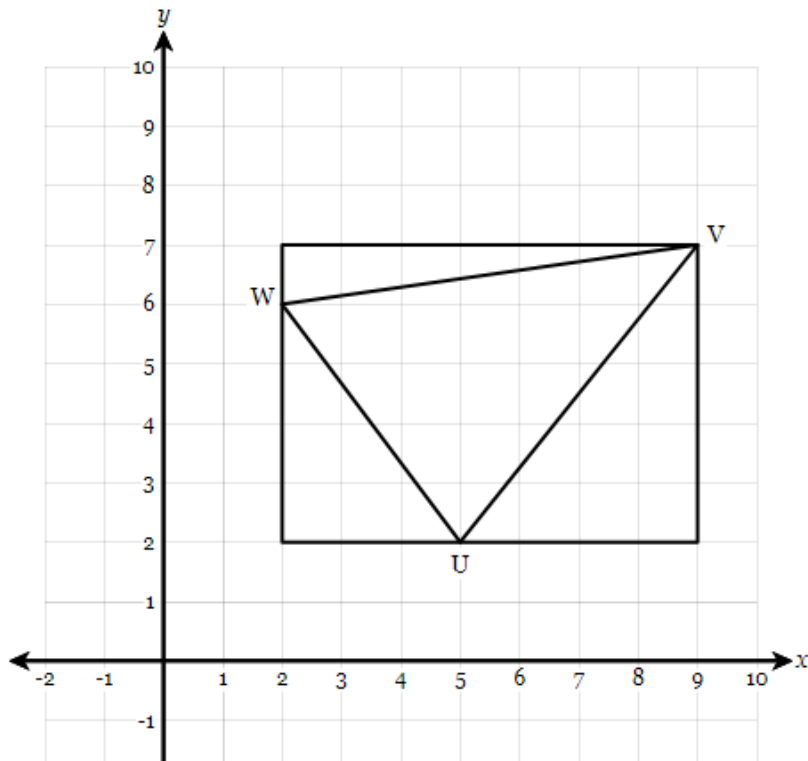
1. Find the Area of the figure below, composed of a parallelogram and one semicircle.  
*Rounded to the nearest tenths place*



2. Find the Area of the figure below, composed of a square and four semicircles.  
*Rounded to the nearest tenths place*

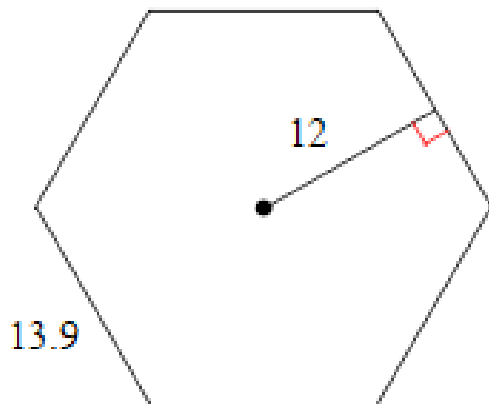


3. Triangle UVW, with vertices  $U(5,2)$ ,  $V(9,7)$ , and  $W(2,6)$ , is drawn inside a rectangle, as shown below.

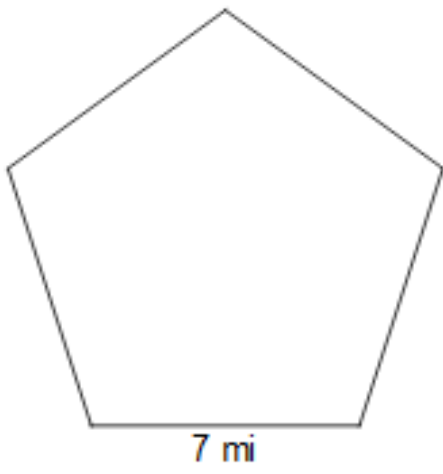


Using Right Triangle Trigonometry: Find the area of each regular polygon. Round your answer to the nearest tenth if necessary.

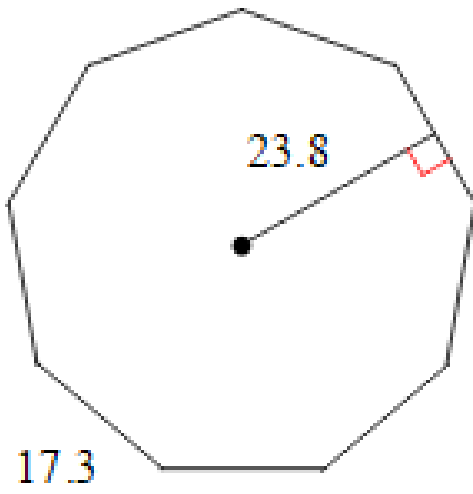
4.



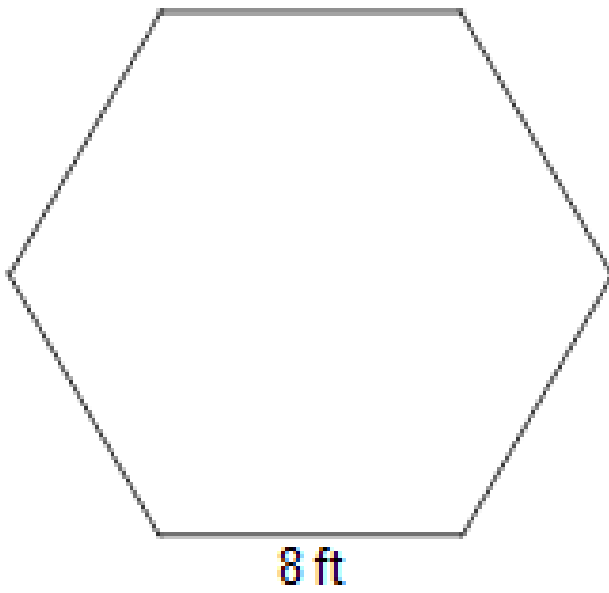
5.



6.



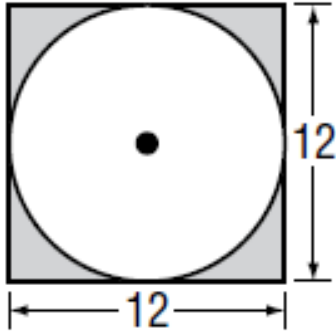
7.



# Geometric Probability

Directions: Find the area of the shaded region and the probability that a point chosen at random lies in the shaded region. Round your answers to the nearest tenth.

8.



9.

