

NAME _____

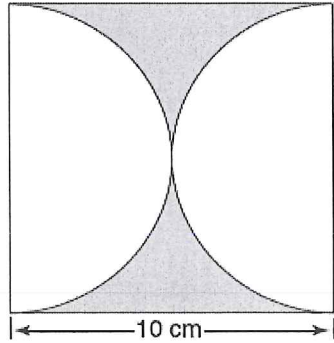
DATE _____

Area of Shaded Region Worksheet

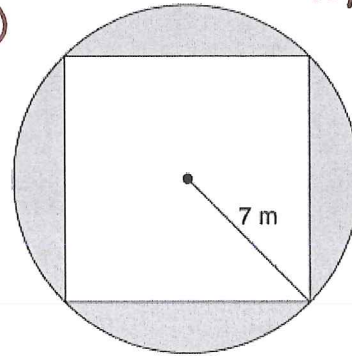
Find the area of the shaded region in each of the following figures.

*Find exact + rounded (10th)
for any figures
w/ circles or
radicals.*

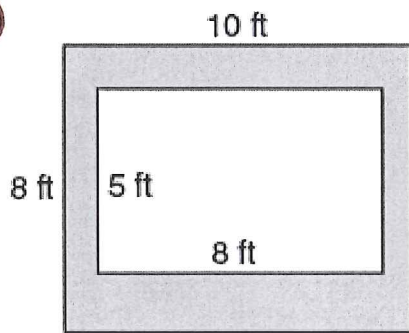
①



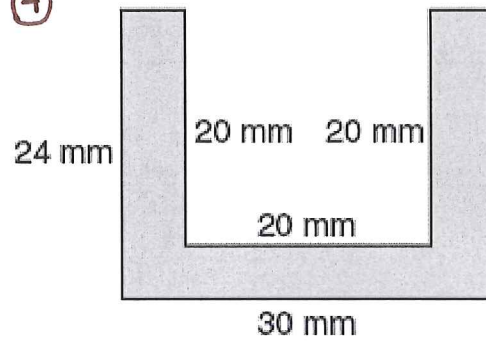
②



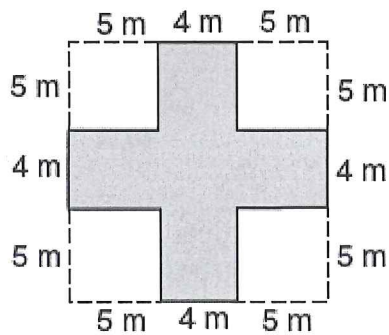
③



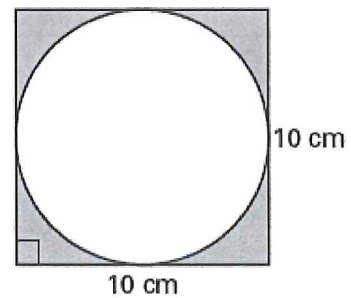
④



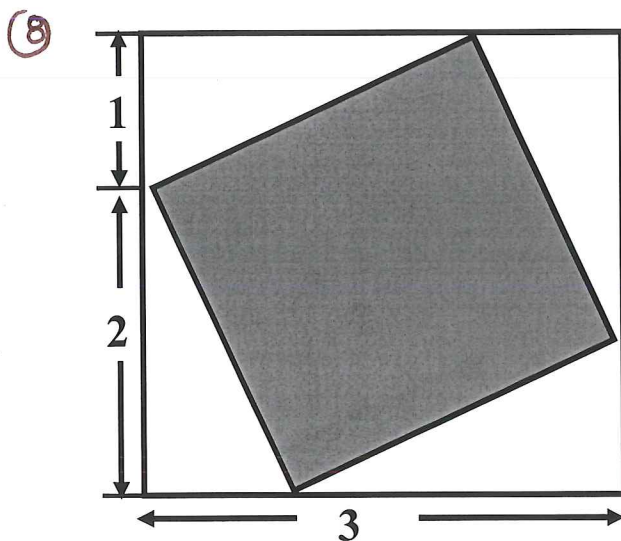
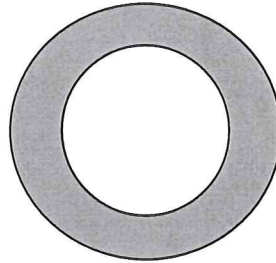
⑤



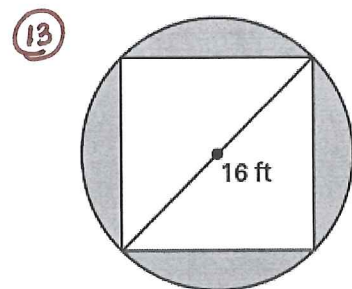
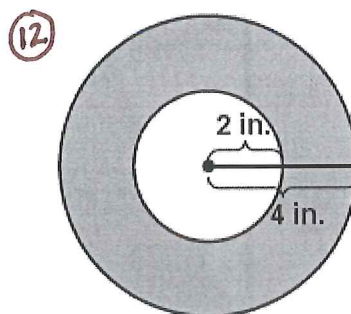
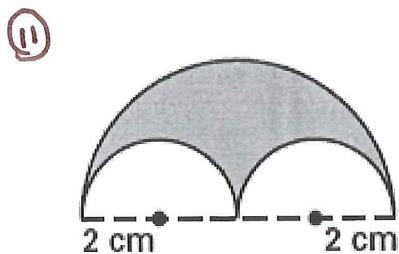
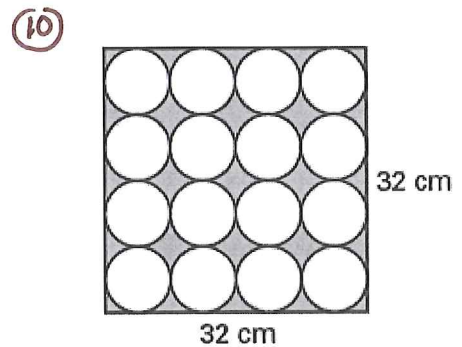
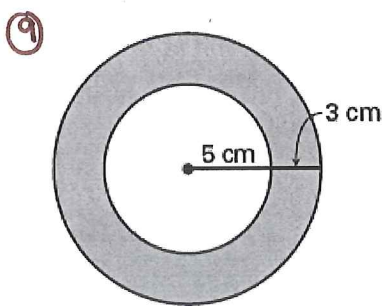
⑥



- 7 This figure consists of 2 concentric circles. If the shaded area is 64π sq. in. and the smaller circle has a radius of 6 in., what is the radius, in inches of the larger circle?



The shaded square is inscribed in the larger square

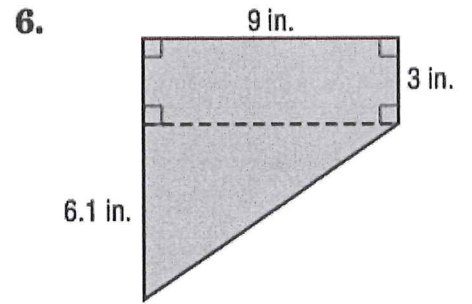
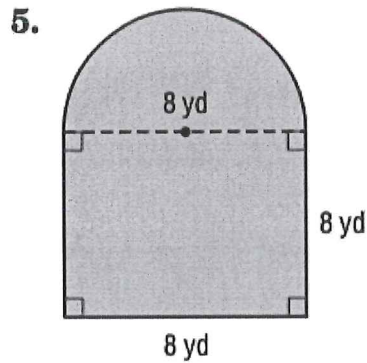
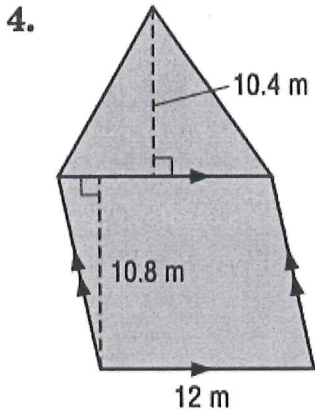
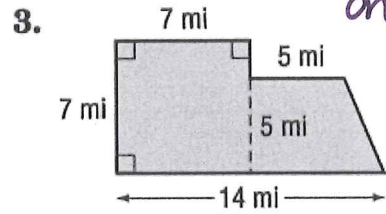
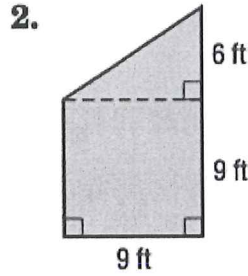
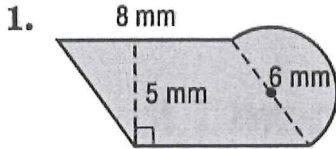


Area of Composite Figures Quiz

*You may use a calculator and formula note card. Use extra worksheet to organize work, if necessary

*For circle + Radical questions Show exact
and rounded answer!*

Find the area of each figure. ~~Round to the nearest tenth if necessary.~~

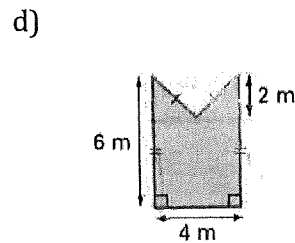
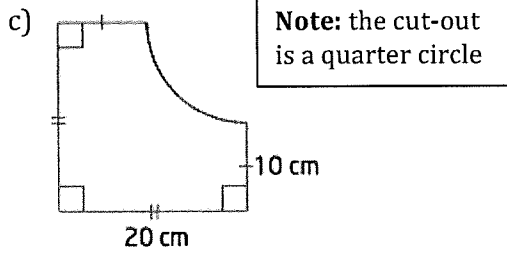
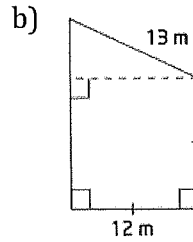
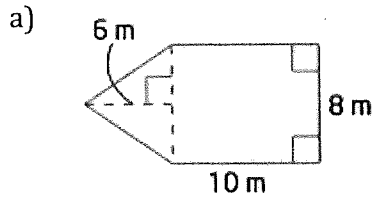


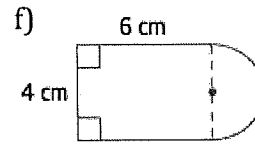
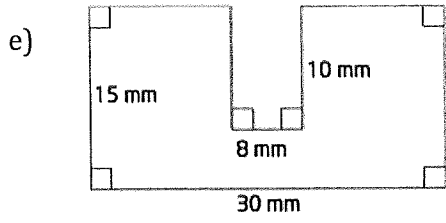
8.2 - Area of Composite Figures Worksheet

MPM1D

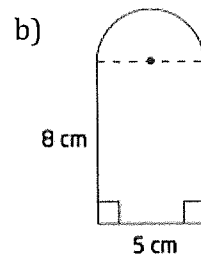
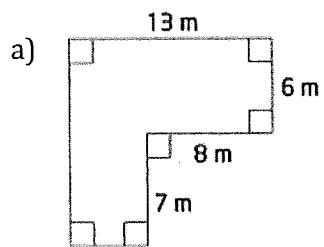
Jensen

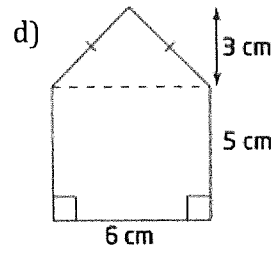
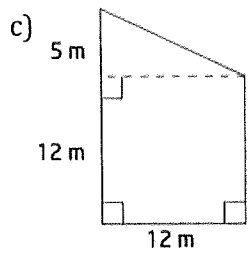
1. Find the area of each of the composite figures:



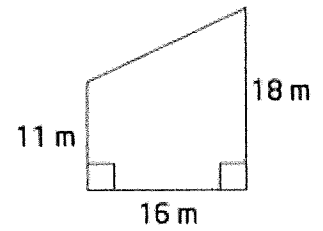


2. Find the perimeter of each of the composite figures:



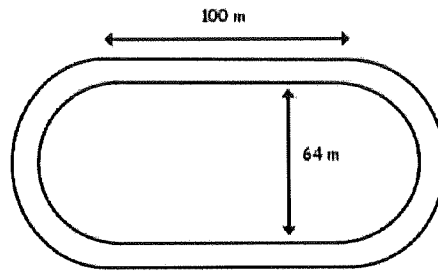


3. a) What length of fencing is needed to surround this yard?



b) What is the area of the yard?

4. Here is a diagram of the track King's is thinking of adding around the new field. It consists of two parallel lines and a semicircle at each end. The track is 10 meters wide.



a) If someone runs one lap on the inside of the track, how far will they have run?

b) If someone runs one lap on the outside of the track, how far will they have run?

c) Find the difference between the distances of running on the inside or outside of the track.

Answers:

1) a) 104 m^2 b) 174 m^2 c) 321.5 cm^2 d) 20 m^2 e) 370 mm^2 f) 30.3 cm^2

2) a) 52 m b) 28.9 cm c) 54 m d) 24.4 cm

3) a) 62.5 m b) 232 m^2

4) a) 401.1 m b) 463.9 m c) 62.8 m