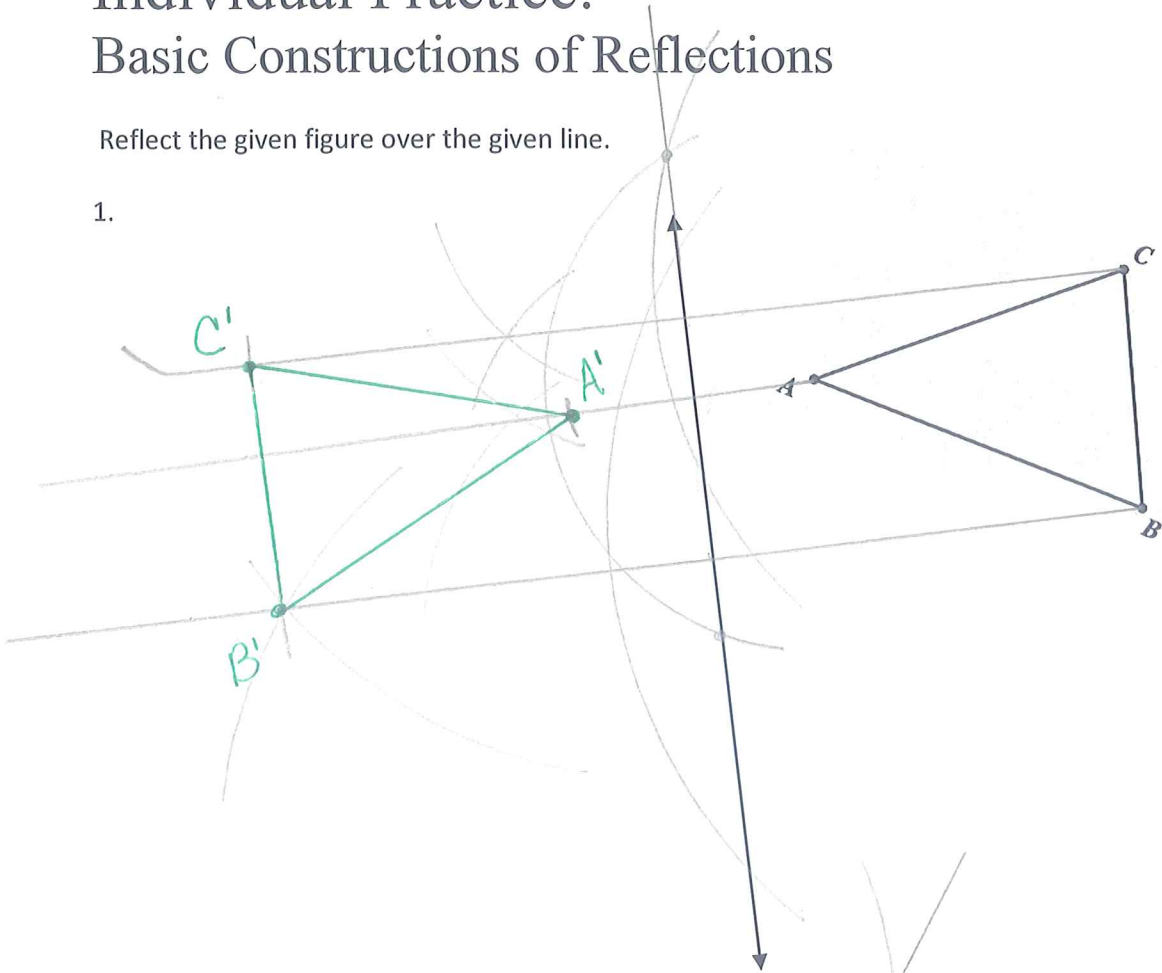


Name: \_\_\_\_\_

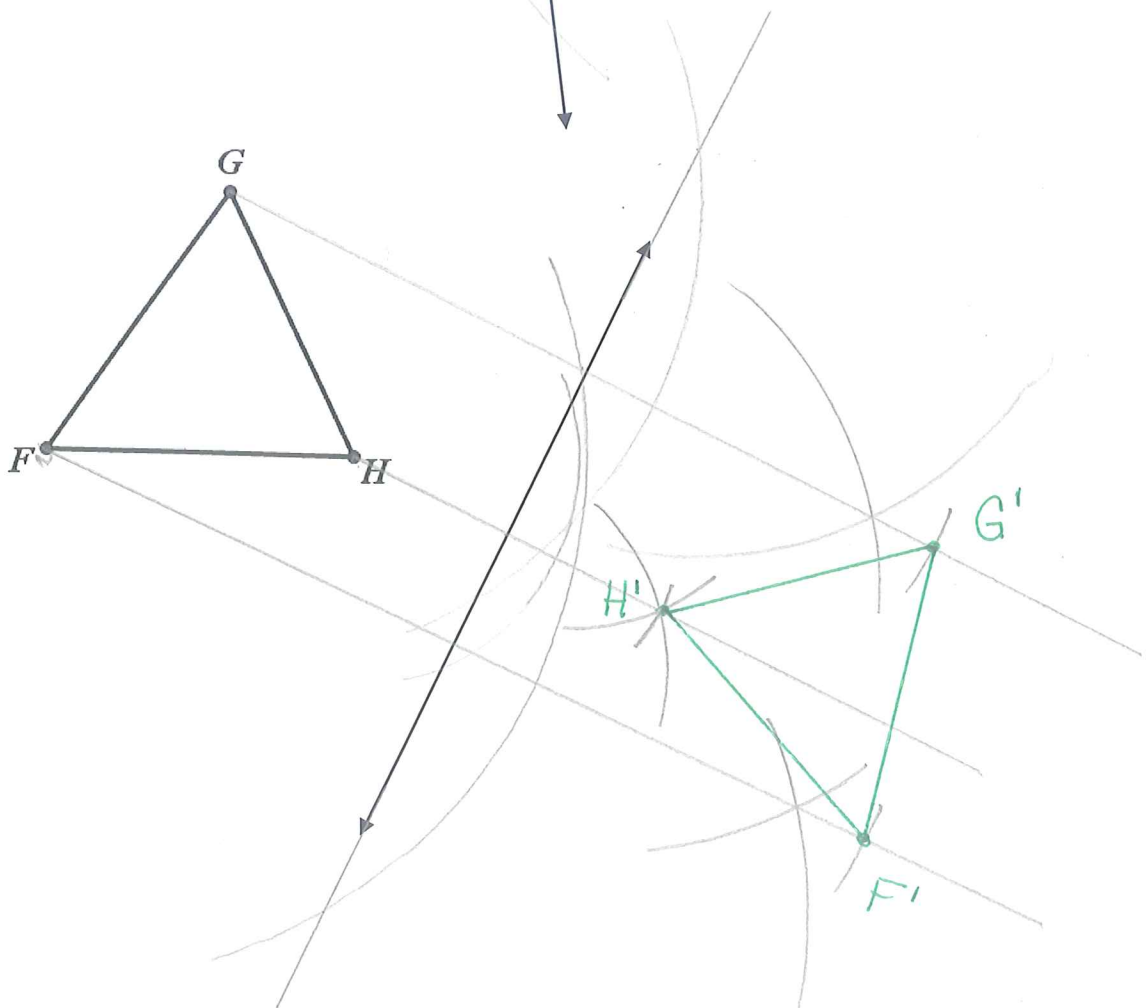
# Individual Practice: Basic Constructions of Reflections

Reflect the given figure over the given line.

1.



2.

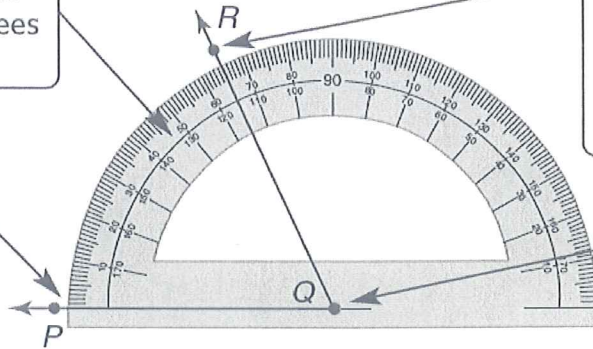


Name: \_\_\_\_\_

# Using a Protractor- The Basics

The protractor has two scales running from 0 to 180 degrees in opposite directions.

Align the 0 on either side of the scale with one side of the angle.

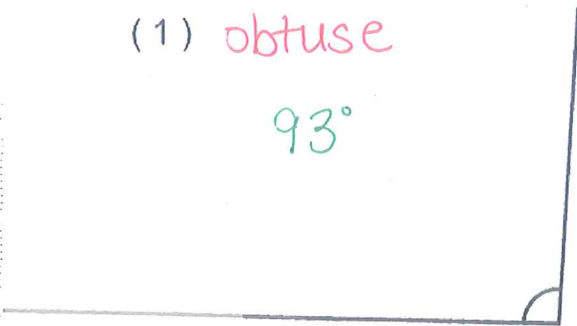


Since  $\overline{QP}$  is aligned with the 0 on the outer scale, use the outer scale to find that  $\overline{QR}$  intersects the scale at 65 degrees.

Place the center point of the protractor on the vertex.

**Directions-** Classify each angle as right, acute or obtuse, and then measure the angle with a protractor. Don't forget your units as degrees!

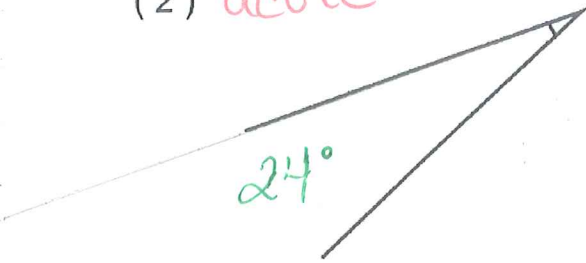
(1) obtuse  
93°



(4) obtuse  
160°



(2) acute  
24°



(5) obtuse  
142°



(3) acute  
37°

