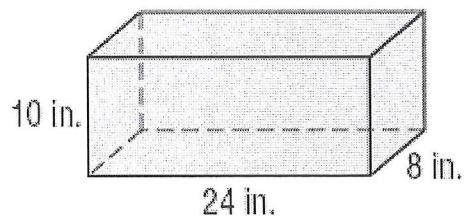


Name: Key - Just solutions Hour: _____

Surface Area and Volume of Prisms - HW

Directions: Find the surface area and volume of the following figures.

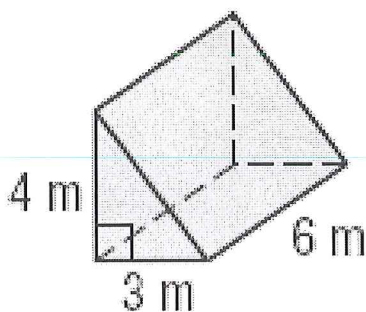
1.



$$SA = \underline{1024 \text{ in}^2}$$

$$V = \underline{1920 \text{ in}^3}$$

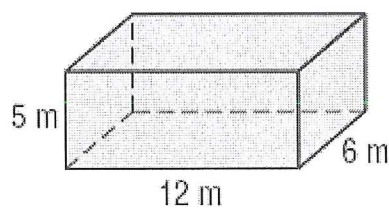
2.



$$SA = \underline{84 \text{ in}^2}$$

$$V = \underline{36 \text{ in}^3}$$

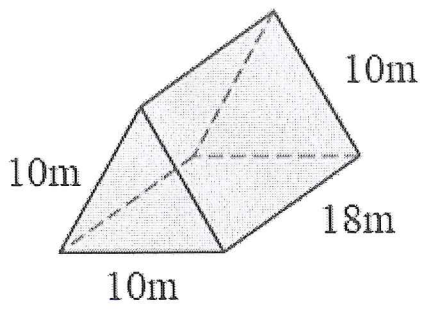
3.



$$SA = \underline{324 \text{ m}^2}$$

$$V = \underline{360 \text{ m}^3}$$

4.



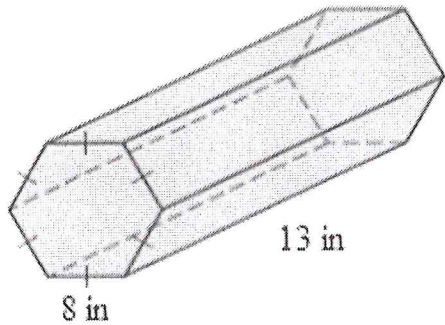
$$SA = \frac{540 + 50\sqrt{3}}{1} m^2$$

$$\approx 626.603 m^2$$

$$V = \frac{450\sqrt{3}}{1} m^3$$

$$\approx 779.423 m^3$$

5.



$$SA = \frac{624 + 192\sqrt{3}}{1} in^2$$

$$\approx 956.554 in^2$$

$$V = \frac{1248\sqrt{3}}{1} in^3$$