

Name: \_\_\_\_\_

# Similar Polygon Warm-Up 1

1. Find the measurements

$QUAD \sim SIML$

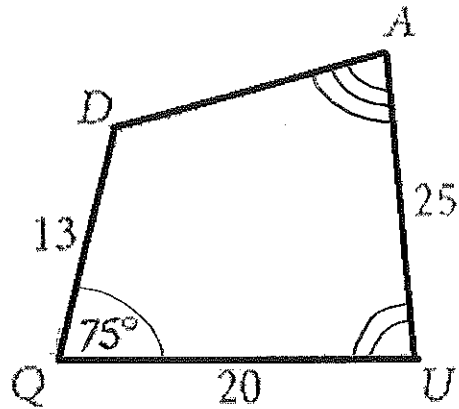
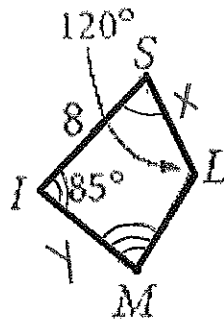
$x = \underline{\hspace{2cm}}$      $y = \underline{\hspace{2cm}}$

$SL = \underline{\hspace{2cm}}$

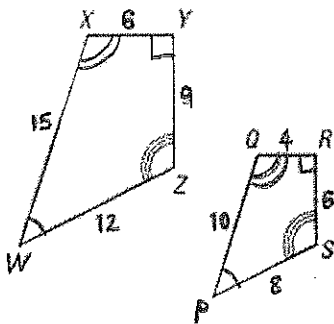
$MI = \underline{\hspace{2cm}}$

$\angle D = \underline{\hspace{2cm}}$

$\angle U = \underline{\hspace{2cm}}$



2. Determine whether each pair of figures is similar. Justify your answer.

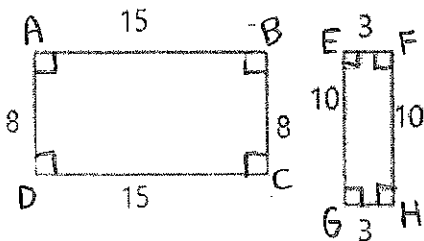


1. Corresponding Angles are  $\cong$

2. Corresponding Sides (SLRs)

3. Similarity Statement: \_\_\_\_\_

3. Determine whether each pair of figures is similar. Justify your answer.



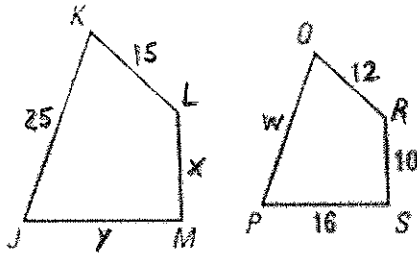
1. Corresponding Angles are  $\cong$

2. Corresponding Sides (SLRs)

3. Similarity Statement: \_\_\_\_\_

4. Find A-D for the similar figures.

- A. Write the similarity statement.
- B. Find the scale factor.
- C. Find missing variables
- D. Find the measure of the indicated side LM.

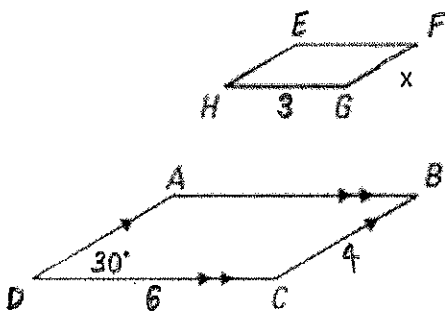


A. Quad KLMJ  $\sim$  \_\_\_\_\_

B. \_\_\_\_\_

C.  $x =$  \_\_\_\_\_,  $w =$  \_\_\_\_\_,  $y =$  \_\_\_\_\_

D.  $LM =$  \_\_\_\_\_



A. Quad EFGH  $\sim$  \_\_\_\_\_

B. \_\_\_\_\_

C.  $x =$  \_\_\_\_\_

D.  $FG =$  \_\_\_\_\_