

Name: \_\_\_\_\_

# Similar Polygon Warm-Up 2

1. Find the measurements

$QUAD \sim SIML$

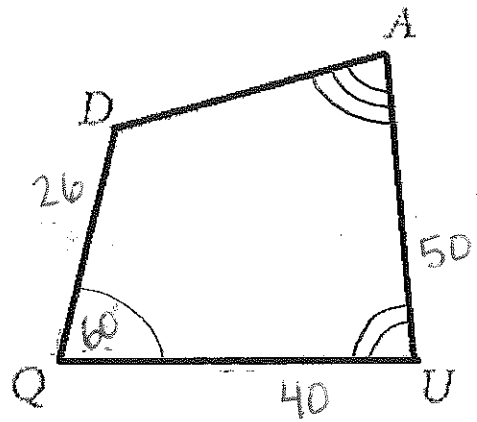
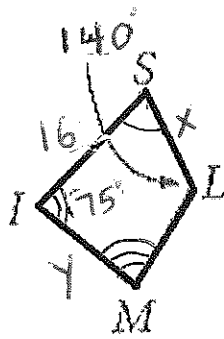
$x =$  \_\_\_\_\_

$SL =$  \_\_\_\_\_

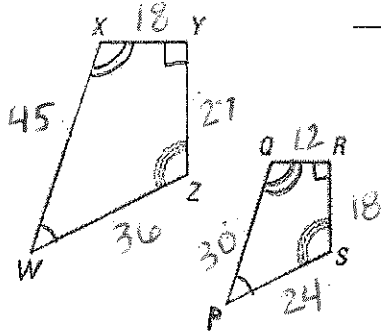
$MI =$  \_\_\_\_\_

$\angle D =$  \_\_\_\_\_

$\angle U =$  \_\_\_\_\_



2. Determine whether each pair of figures is similar. Justify your answer.

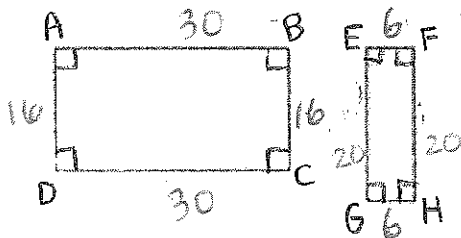


1. Corresponding Angles are  $\cong$

2. Corresponding Sides (SLRs)

3. Similarity Statement: \_\_\_\_\_

3. Determine whether each pair of figures is similar. Justify your answer.



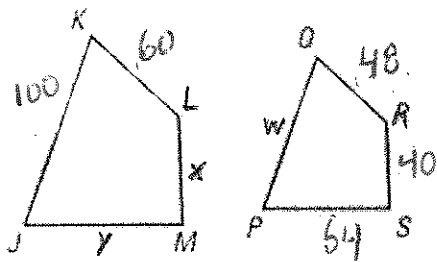
1. Corresponding Angles are  $\cong$

2. Corresponding Sides (SLRs)

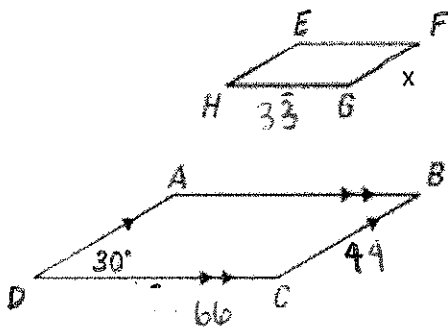
3. Similarity Statement: \_\_\_\_\_

4. Find A-D for the similar figures.

- A. Write the similarity statement.
- B. Find the scale factor.
- C. Find missing variables
- D. Find the measure of the indicated side LM.



- A. Quad KLMJ  $\sim$  \_\_\_\_\_
- B. \_\_\_\_\_
- C.  $x =$  \_\_\_\_\_,  $w =$  \_\_\_\_\_,  $y =$  \_\_\_\_\_
- D.  $LM =$  \_\_\_\_\_



- A. Quad EFGH  $\sim$  \_\_\_\_\_
- B. \_\_\_\_\_
- C.  $x =$  \_\_\_\_\_
- D.  $FG =$  \_\_\_\_\_