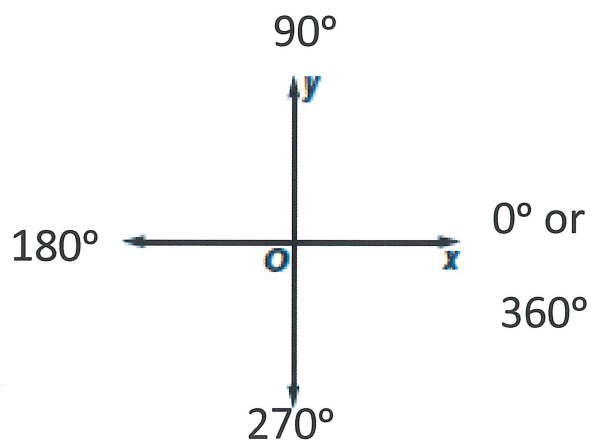


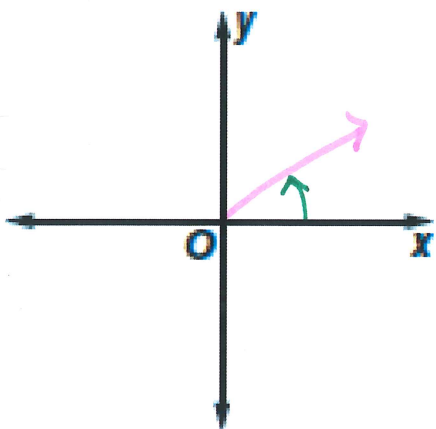
Name: Answer Key

Sketching Angles Homework 2016-2017

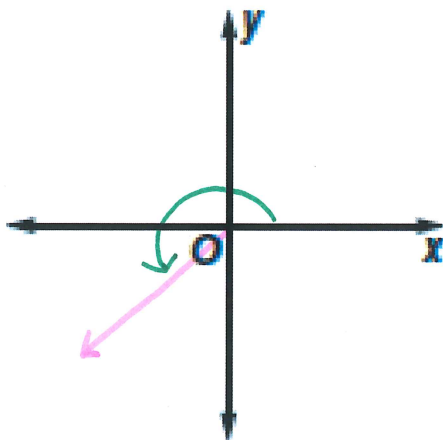


Sketch the angles.

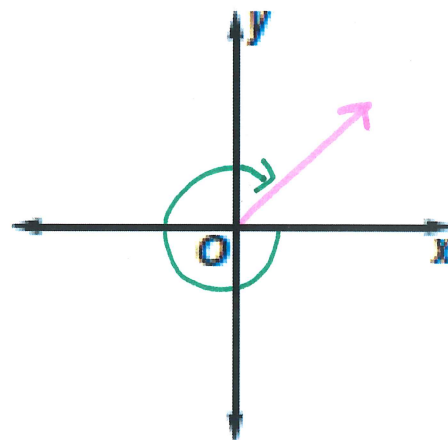
1. 30°



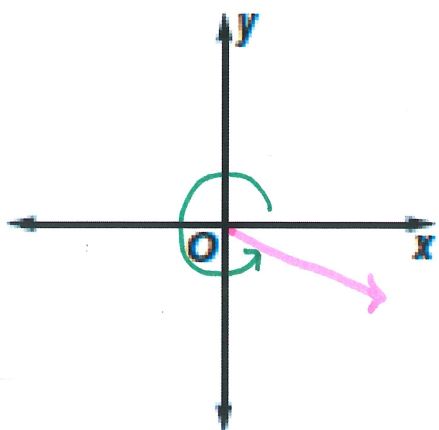
2. 225°



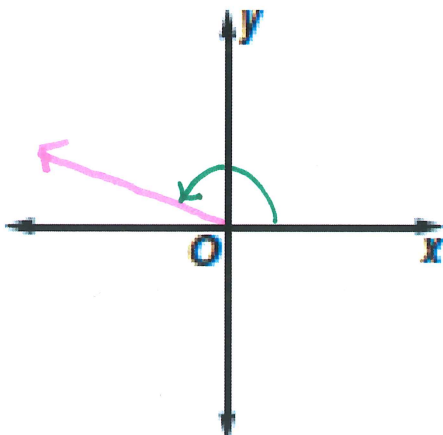
3. -315°



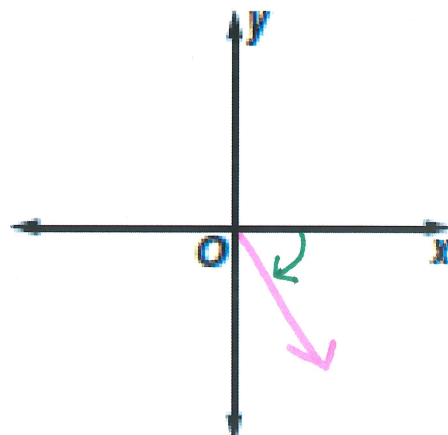
4. 330°



5. 150°



6. -60°

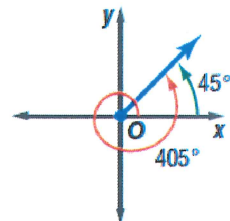


Coterminal Angles: The graph shows a 405° angle and a 45° angle. They both share the same terminal side. When two angles in standard position have the same terminal sides, they are called coterminal angles.

$$405^\circ - 360^\circ = 45^\circ$$

In degrees, you add/subtract 360

In radians, you would add/subtract 2π



Determine what quadrant the angle is located, then find one angle with positive measure and one angle with negative measure coterminal with each angle.

1. 120°

Quadrant: II

Pos:

$$480^\circ$$

2. 225°

Quadrant: III

Pos: 585°

Neg: -240°

Neg: -135°

3. 270° change to 280°

Quadrant: IV

Pos:

$$640^\circ$$

4. 180° change to 190°

Quadrant: II

Pos:

$$550^\circ$$

Neg: -80°

Neg: -170°