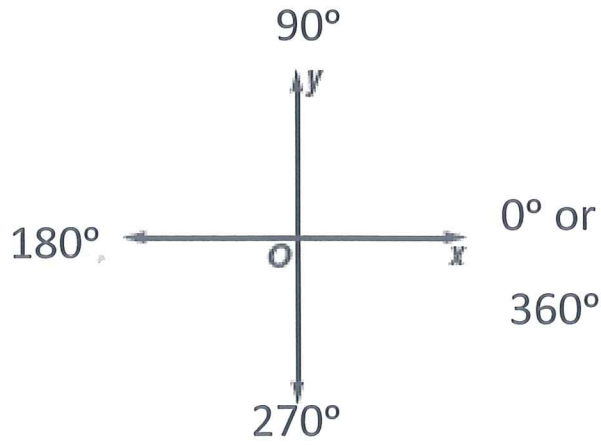


Name: _____

Key

SKETCHING ANGLES HOMEWORK

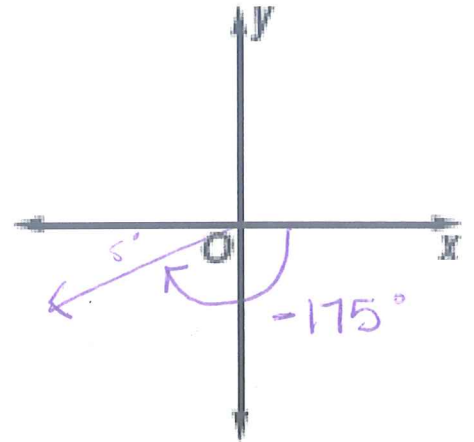
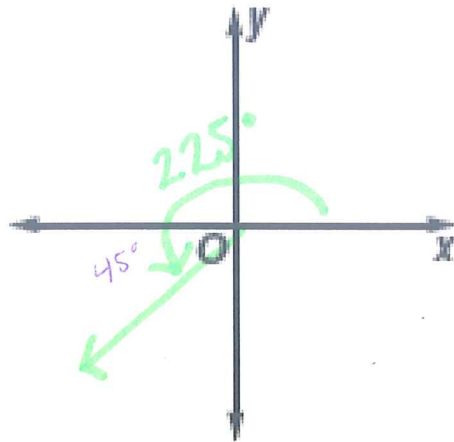
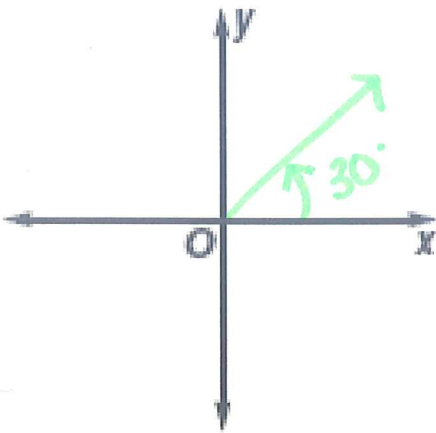


Sketch the angles.

1. 30°

2. 225°

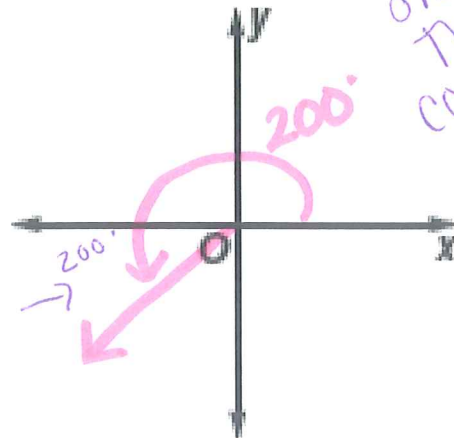
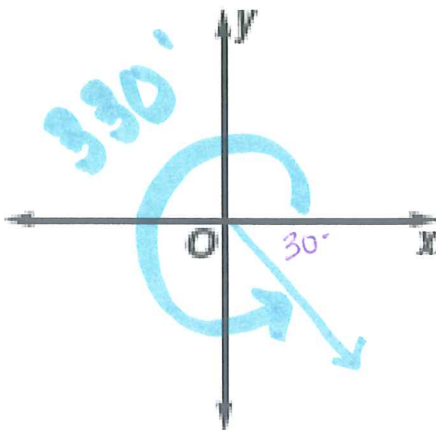
3. -175°



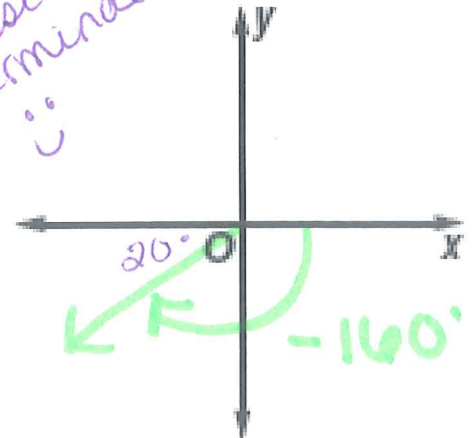
4. 330°

5. 200°

6. -160°



oh! These are coterminal :)

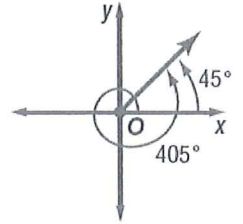


Coterminal Angles: The graph shows a 405° angle and a 45° angle. They both share the same terminal side. When two angles in standard position have the same terminal sides, they are called co terminal angles.

$$405^\circ - 360^\circ = 45^\circ$$

In degrees, you add/subtract 360

~~In radians, you would add/subtract 2π .~~



Find one angle with positive measure and one angle with negative measure coterminal with each angle.

1. 140°

Pos: 500°

Neg: -220°

2. 215°

Pos: 575°

Neg: -145°

3. 290°

Pos: 650°

Neg: -70°

4. 180°

Pos: 540°

Neg: -180°